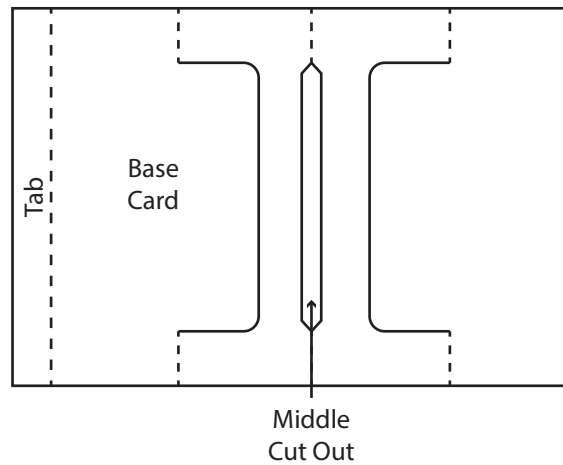
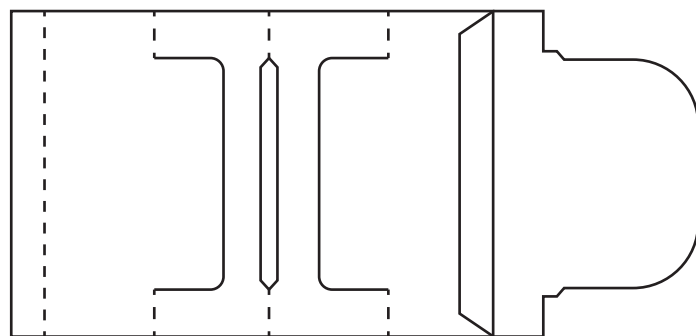


# ADVANCED POP UP CARD

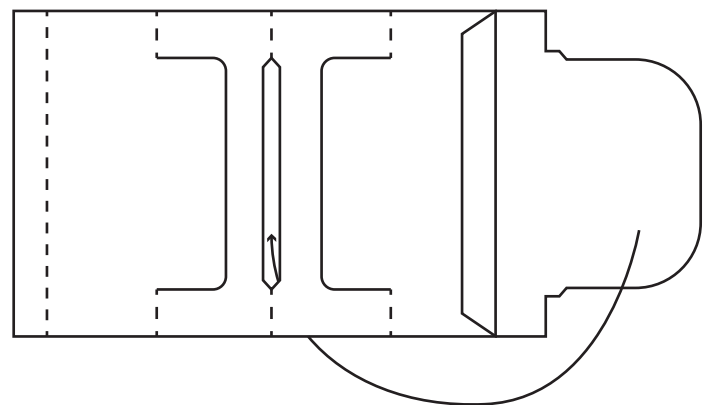
1. Cut out the templates and fold along any score lines.



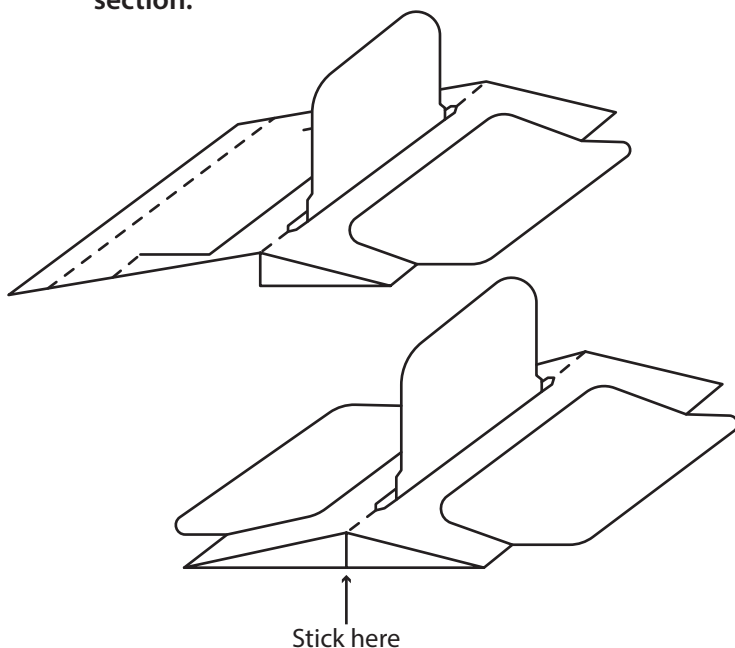
2. Attach the Pop Up piece to the edge of the base card without the tab with double sided tape or glue as shown.



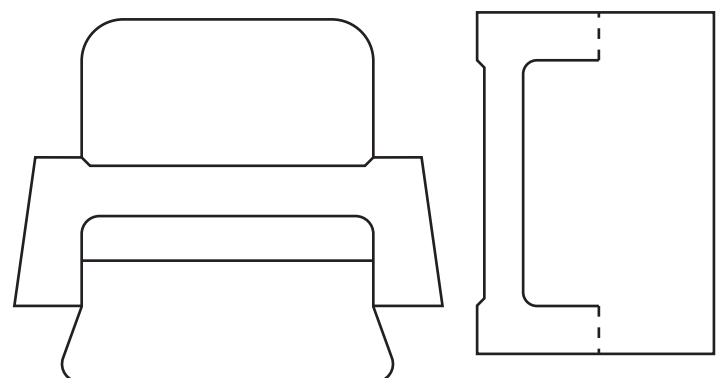
3. Fold the Pop Up piece underneath and through the middle cut out.



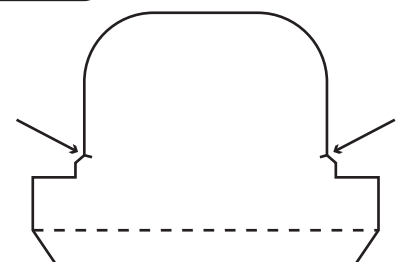
4. Secure the pop up section in place by sticking the tab on the base card underneath the pop up section.



5. The card opens out and folds flat. Decorate as required.



Top Tip: If your Pop Up isn't staying up when the card is open, add a tiny snip either side at this point to help it stay up.

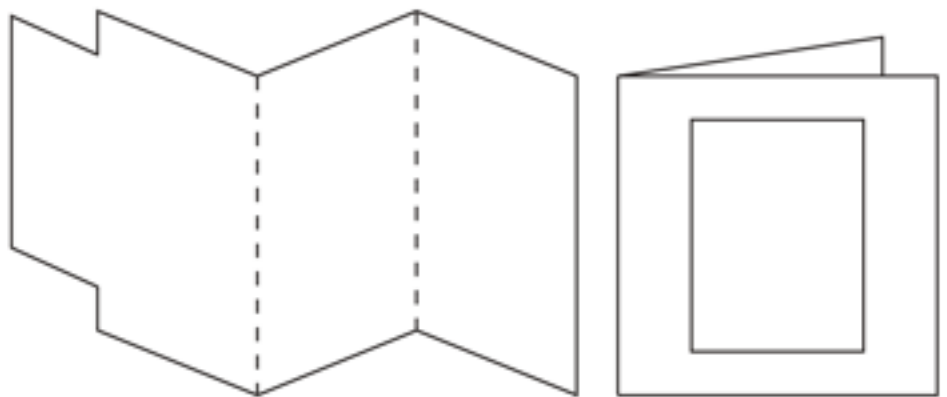


## K CARD

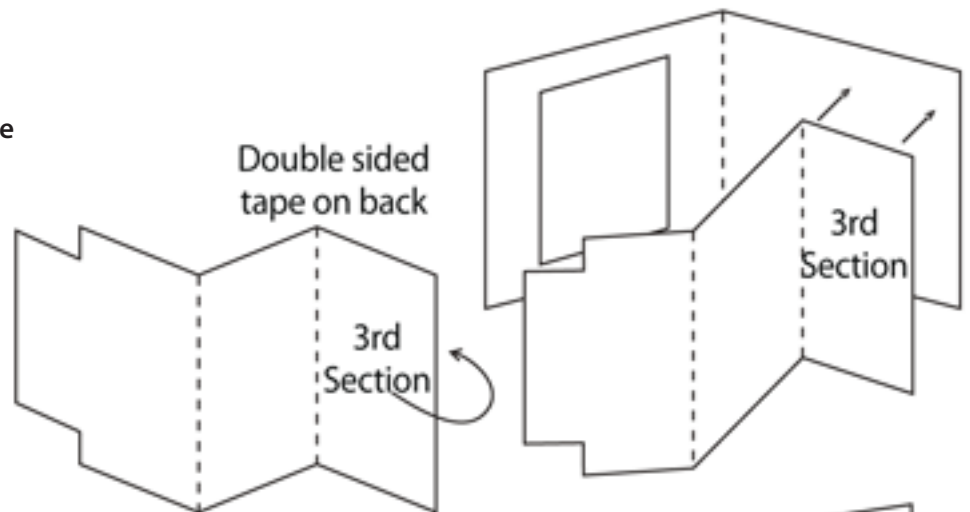
1. Cut out the templates and fold along any score lines.



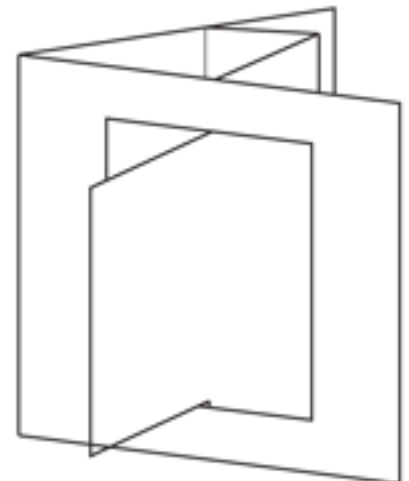
2. Take Piece 1 and concertina fold along the scored lines. Take Piece 2 and fold in half on the score lines.



3. On Piece 1 place double sided tape or glue on the back of the 3rd section and stick to the edge of Piece 2.

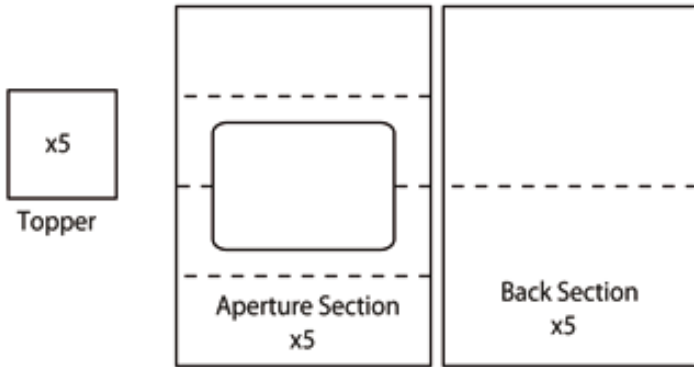


4. Push the end of Piece 1 through the aperture of Piece 2. Decorate and embellish as required.

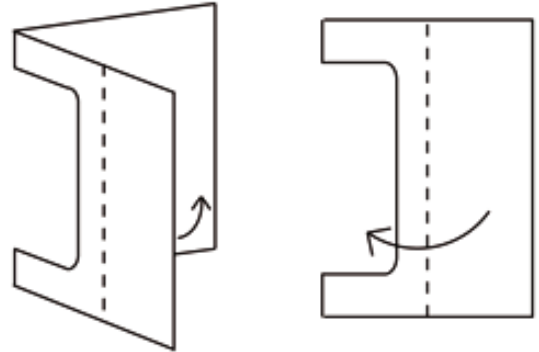


# STAR CARD

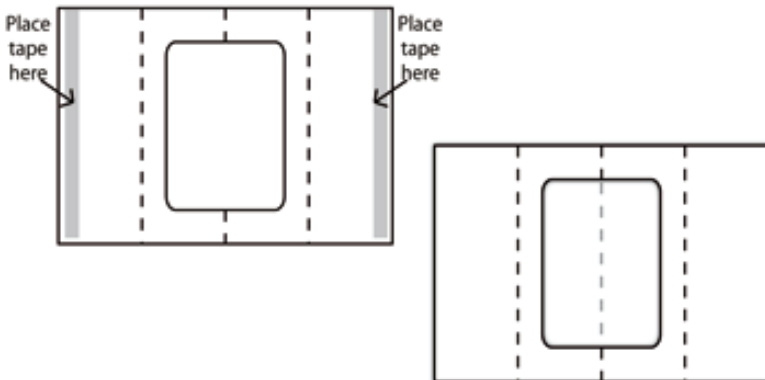
1. Cut out the templates and fold along any score lines. You will need 5 of each template piece.



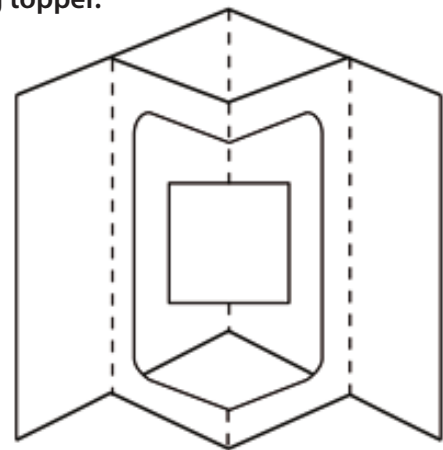
2. Fold the Aperture Section in half along the central score lines to create a mountain fold. Then fold each side back towards the centre along the vertical lines creating valley folds.



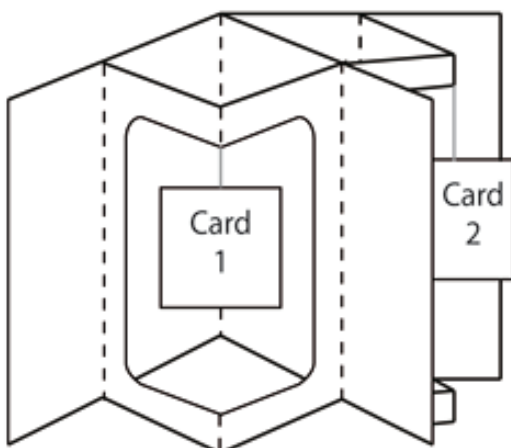
3. Open the Aperture Section out and turn it over. Place double sided tape or glue along the two side edges of the card. Stick the Aperture Section directly on top of the Back Section.



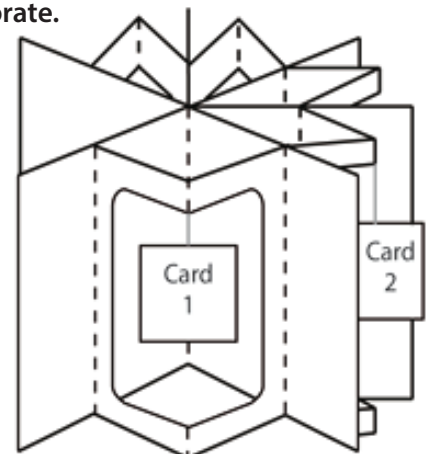
4. When stood upright the centre section will now form an aperture. Use invisible thread to attach the topper to the centre of the aperture to create a hanging topper.



5. Repeat steps 1-4 with the four remaining template pieces. Your Star card is now ready to assemble. Place double sided tape or glue down the back side of Card 1, then stick to the left hand side of Card 2.

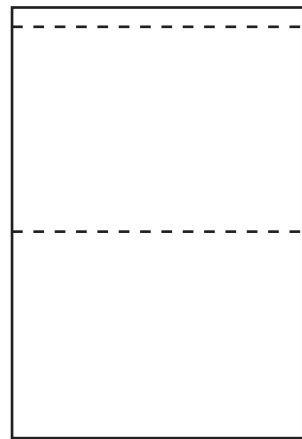


6. Place double sided tape or glue down the back right hand side of Card 2, then stick the left hand side of Card 3. Repeat this to stick Card 4 to Card 3 and Card 5 to Card 4. Do not stick Card 5 to Card 1 so the card can still fold flat. The card is now ready to decorate.

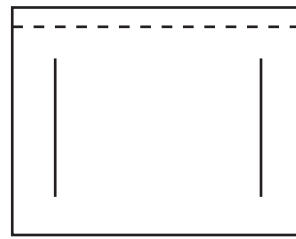


## TWO TAB SLIDER CARD

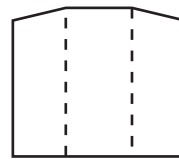
1. Cut out the templates and fold along any score lines. You will need 2 of Panel C.



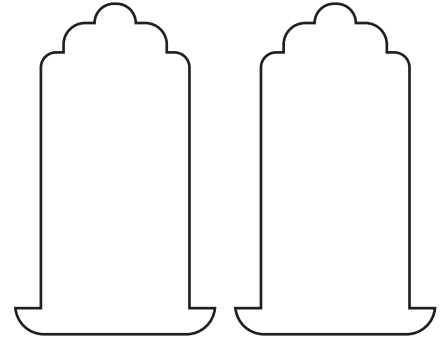
Panel A



Panel B

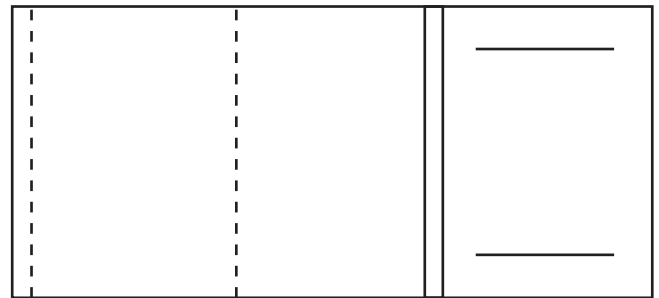


Stand



Panel C

2. Stick Panel B to Panel A using the tab with double sided tape or glue.



3. Feed one of the Panel C pieces through the right slot on Panel B, going in through the front of the card outwards. Feed the second Panel C piece through the left slot, going in through the back of the card outwards. These are your two sliding tabs.

4. Fold around the base card to conceal the sliding tabs and secure closed using the tab. Add the stand to the back of the card if you wish. Your Two Tab Slider is now ready to decorate and embellish.

