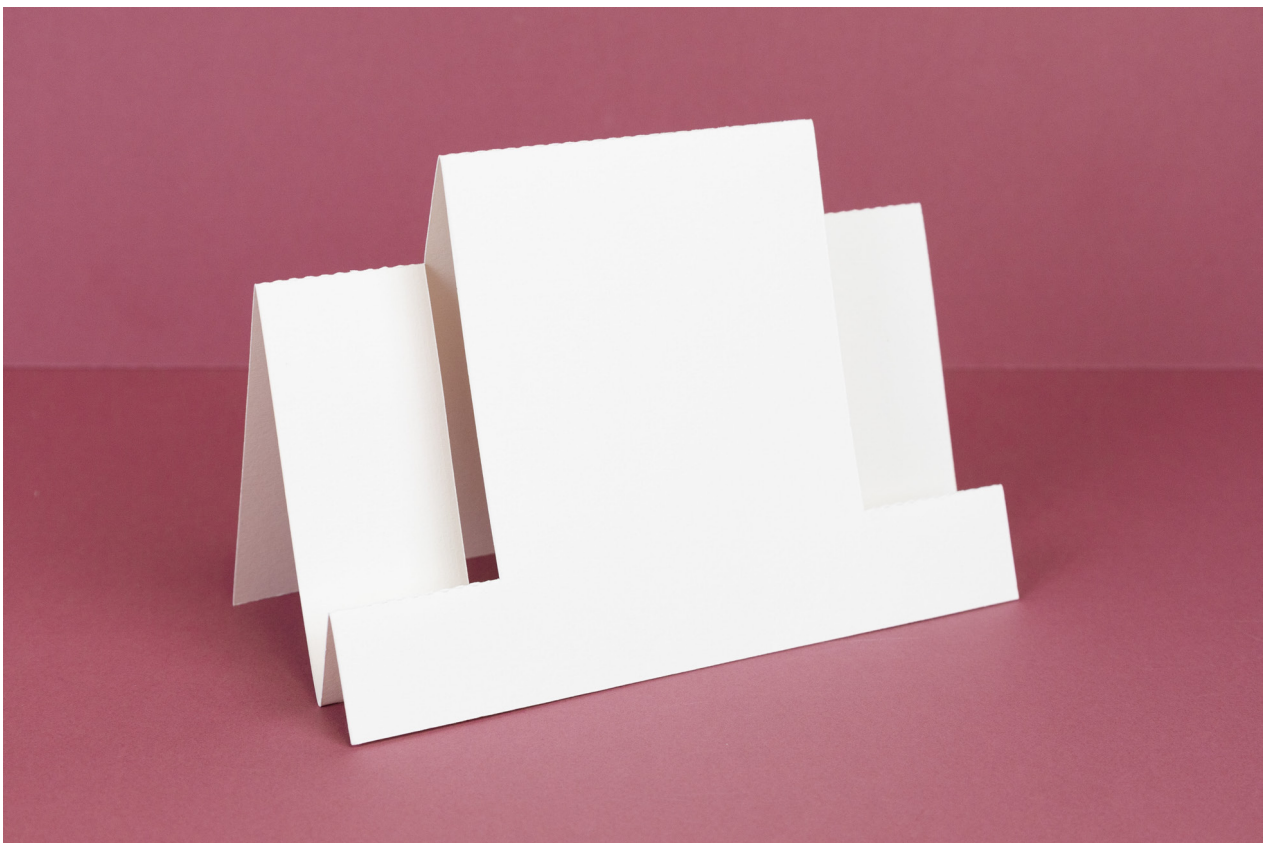
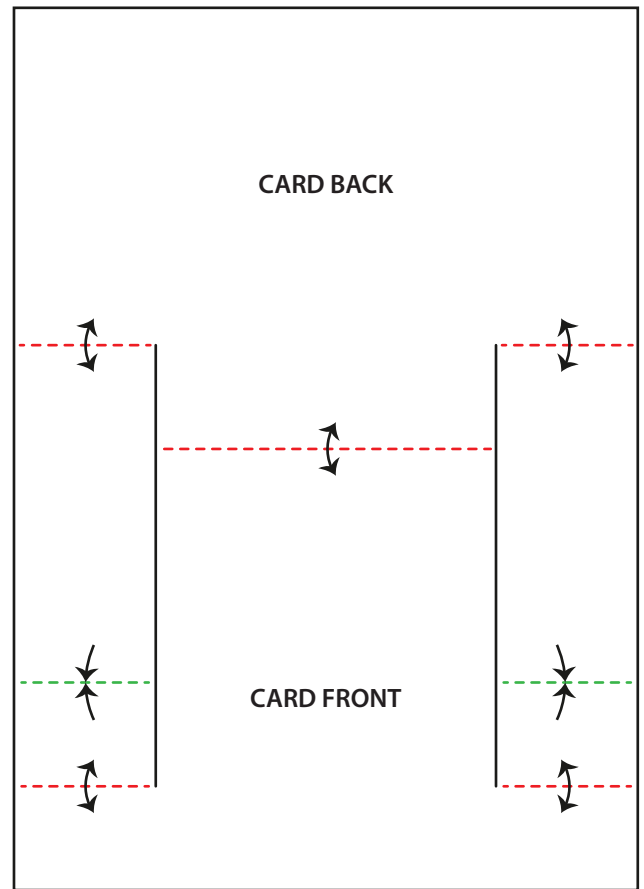
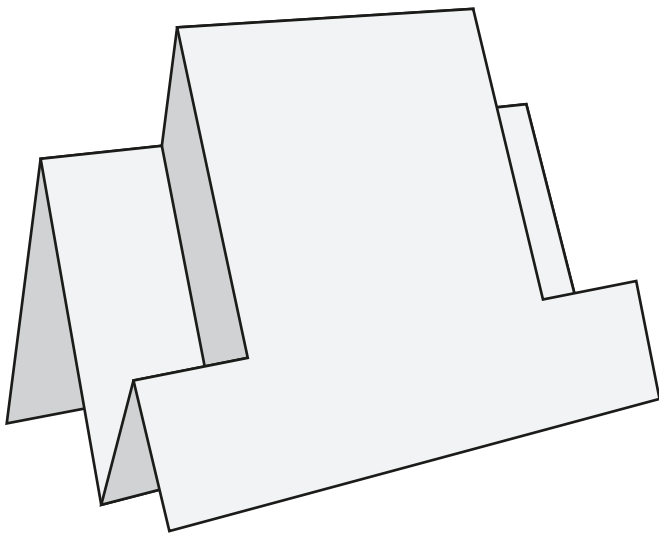


CENTRE STEPPER CARD

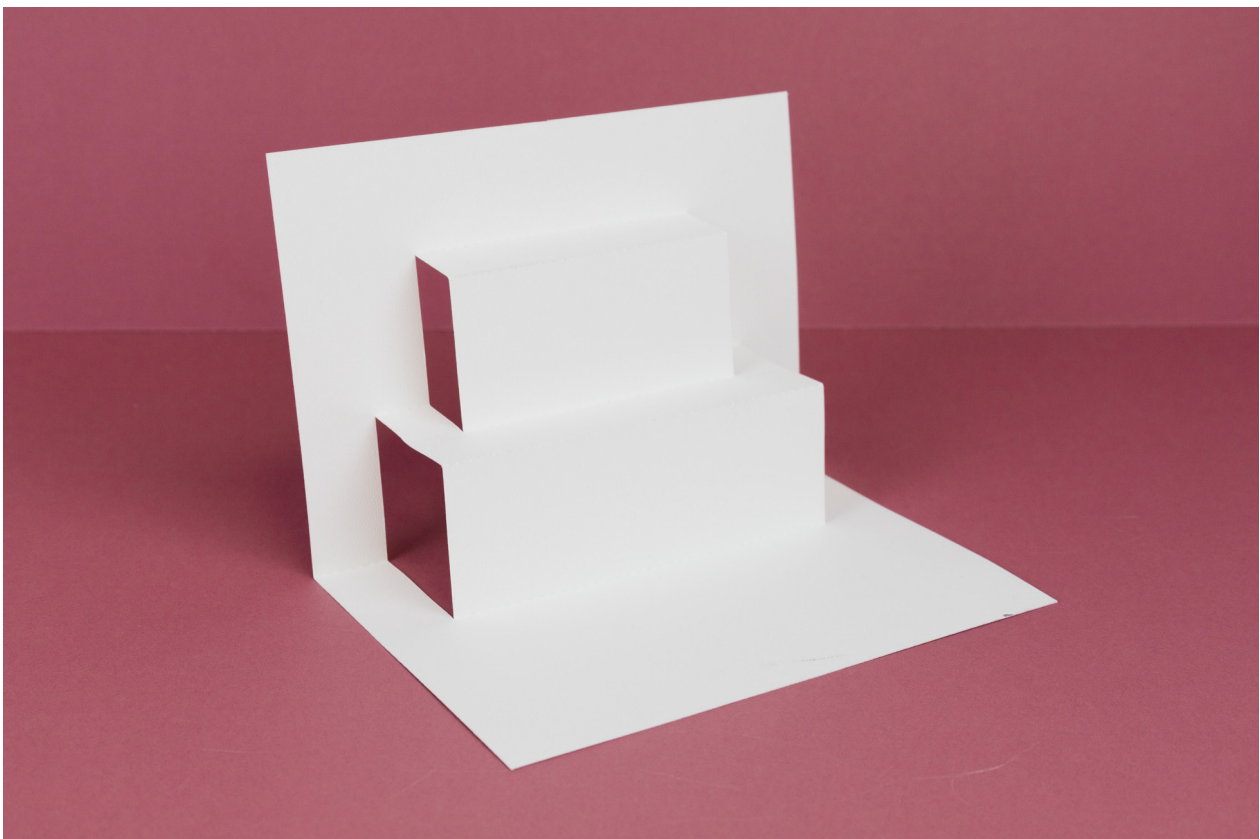
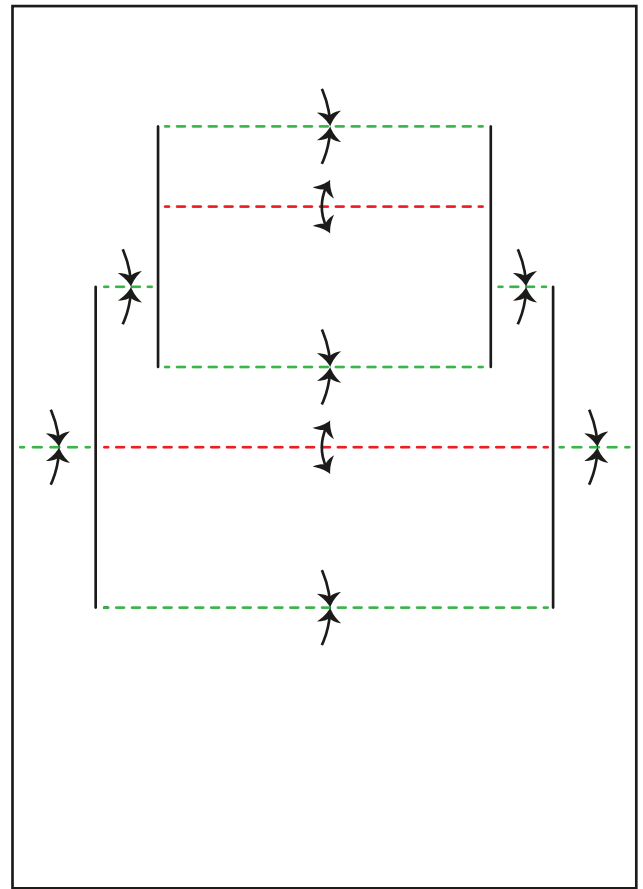
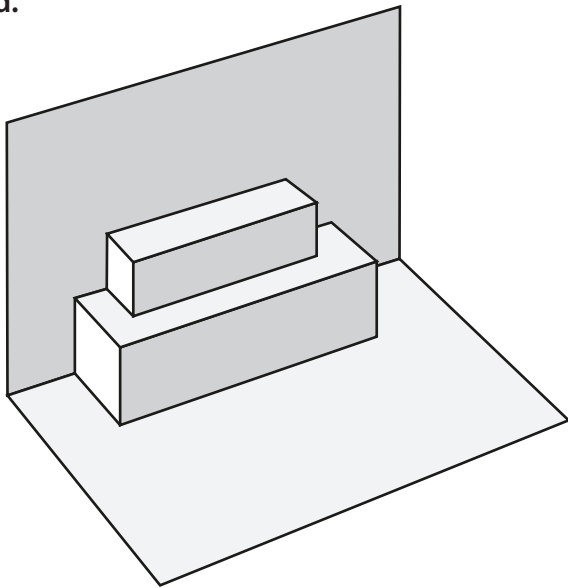
1. Cut out the template, score along the dotted lines and cut along the solid lines. If you are using the SVG version these will have been done for you.
2. Mountain fold along the red dotted lines and valley fold along the green dotted lines.
3. Fold the template in half to create a centre stepper card.





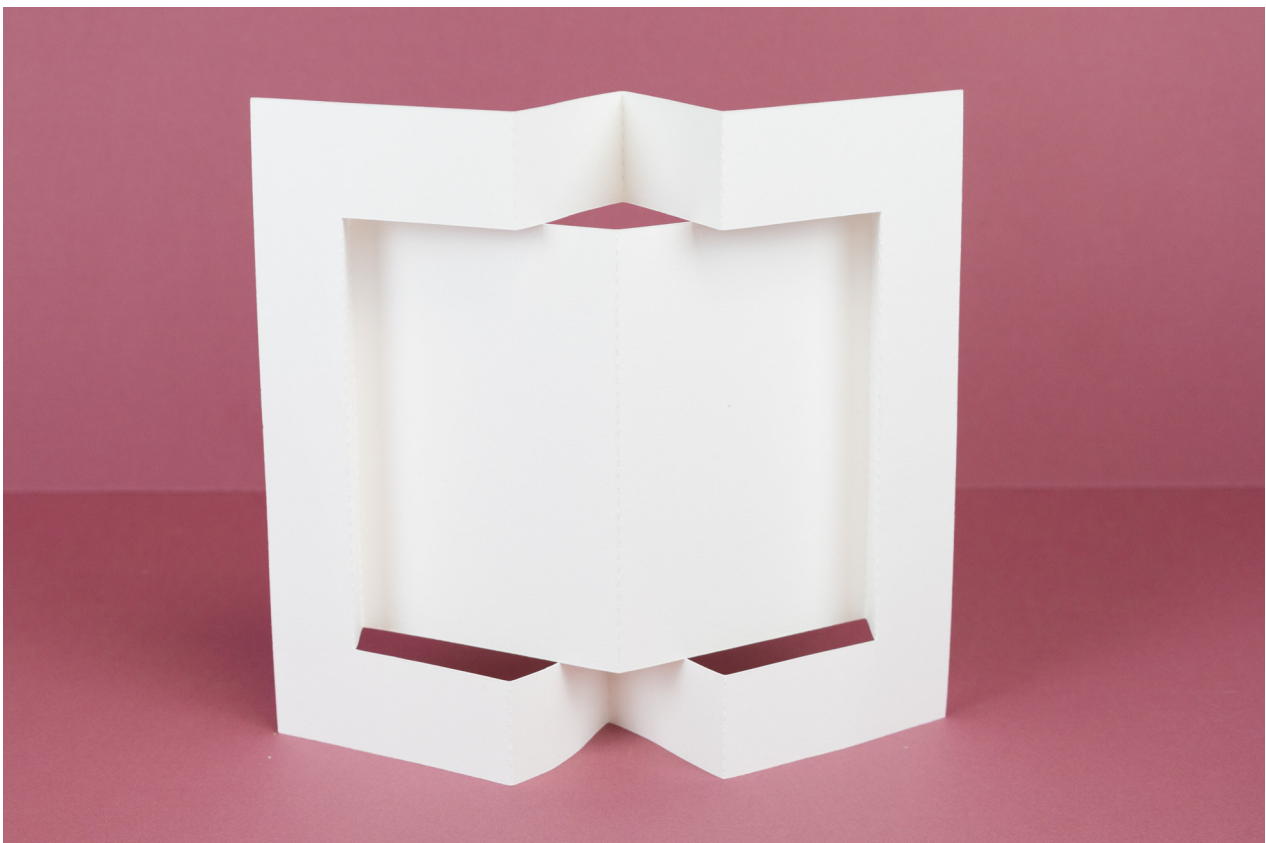
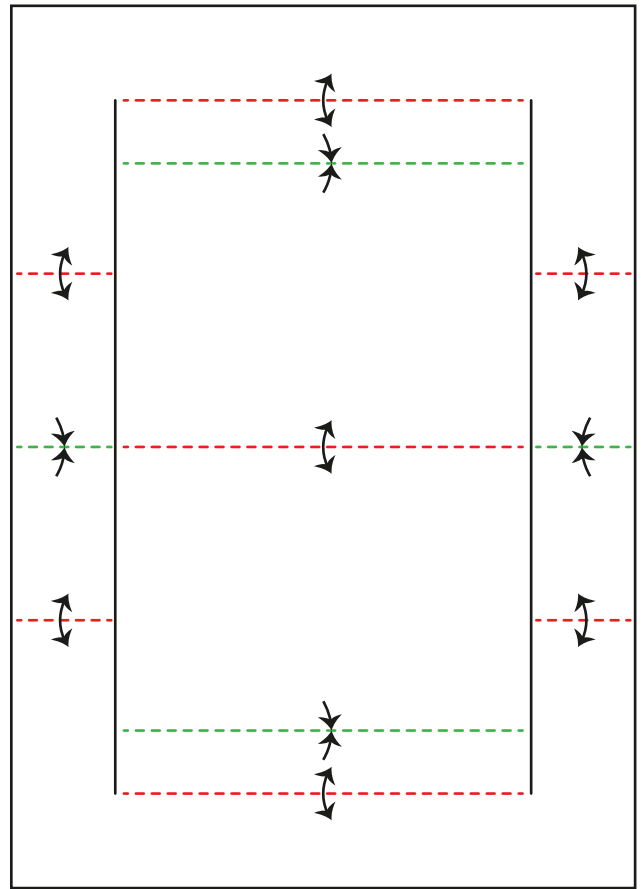
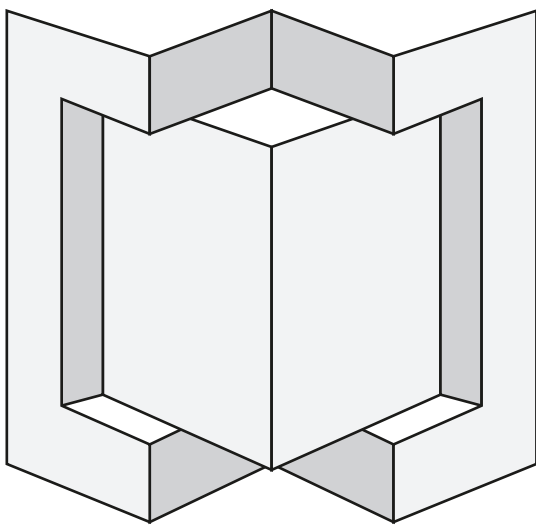
POP UP CARD

1. Cut out the template, score along the dotted lines and cut along the solid lines. If you are using the SVG version these will have been done for you.
2. Mountain fold along the red dotted lines and valley fold along the green dotted lines.
3. Fold the template in half to create a pop up card.



SHUTTER CARD

1. Cut out the template, score along the dotted lines and cut along the solid lines. If you are using the SVG version these will have been done for you.
2. Mountain fold along the red dotted lines and valley fold along the green dotted lines.
3. Fold up the template to create a shutter card.



SIDE STEPPER CARD

1. Cut out the template, score along the dotted lines and cut along the solid lines. If you are using the SVG version these will have been done for you.
2. Mountain fold along the red dotted lines and valley fold along the green dotted lines.
3. Fold the template in half to create a pop up card.

