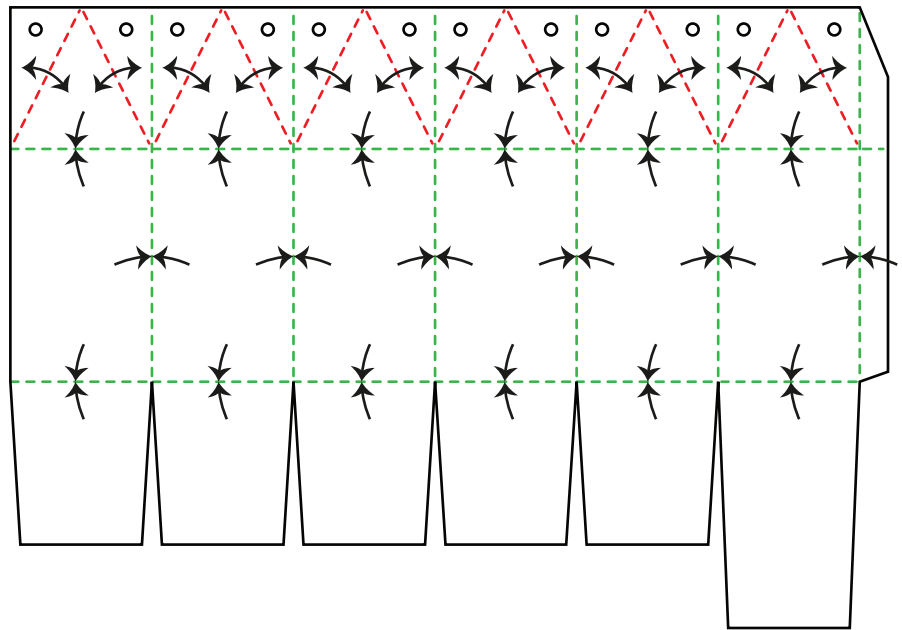
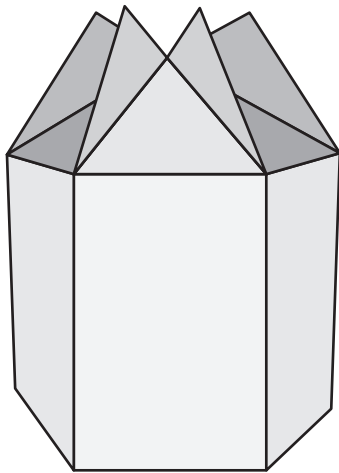




HEXAGON BOX

1. Cut out the template, score along the dotted lines and cut along the solid lines. If you are using the SVG version these will have been done for you.
2. Valley fold along the green dotted lines and mountain fold along the red dotted lines.
3. Fold round the template to create a cylinder and attach the tab to the opposite edge.



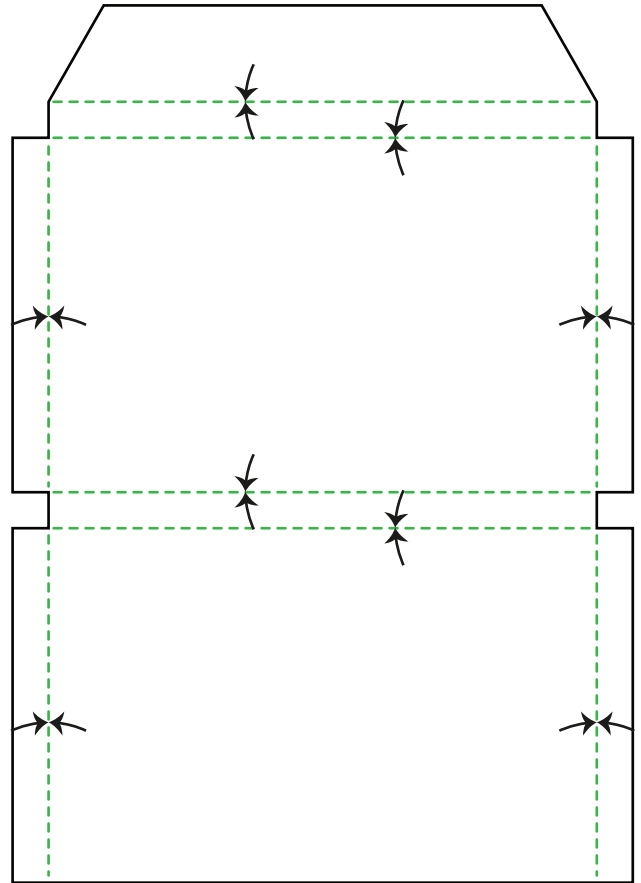
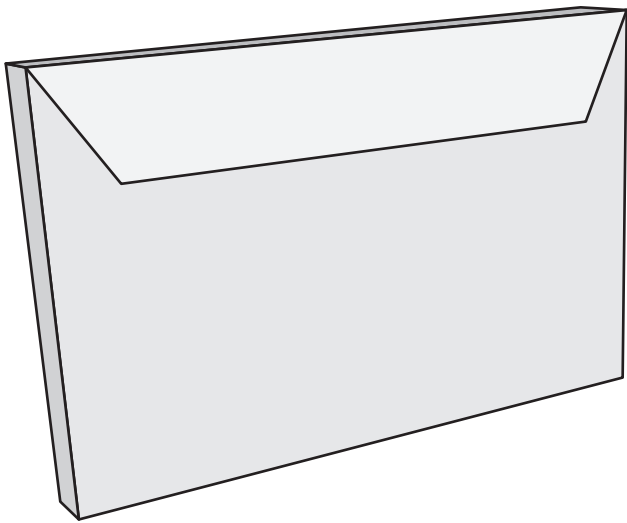
4. To close the bottom, first fold in the longer bottom tab until it meets the opposite edge of the hexagon. Fold down the opposite tab and stick to secure.
5. Fold in the rest of the bottom tabs and stick to close up the bottom of the hexagon box.
6. Feed a ribbon through the holes and pull tight to close the box.





RECTANGLE ENVELOPE BOX

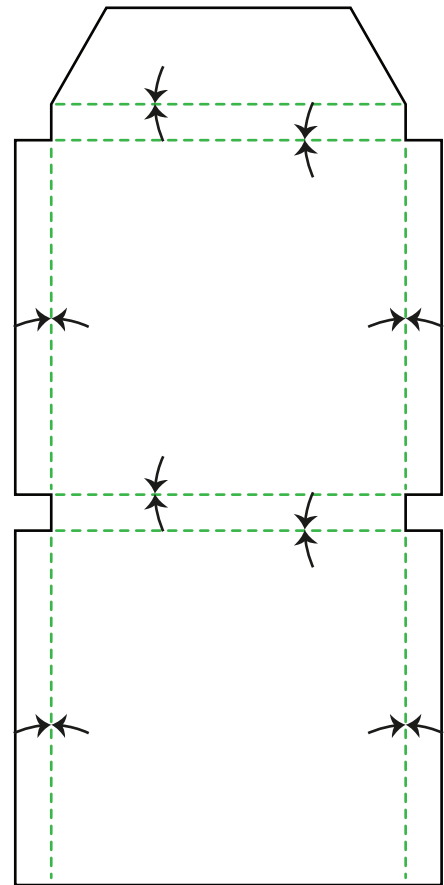
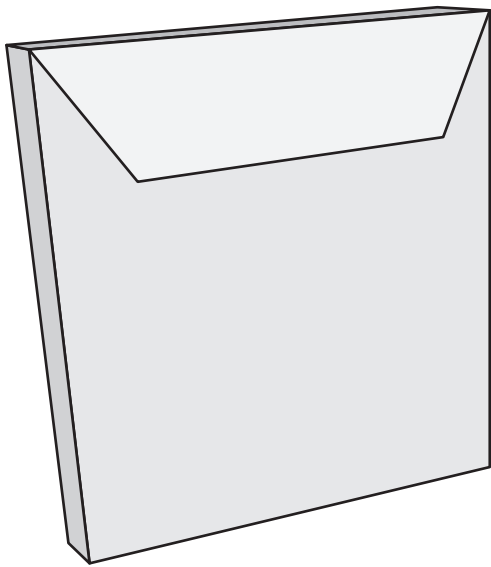
1. Cut out the template, score along the dotted lines and cut along the solid lines. If you are using the SVG version these will have been done for you.
2. Valley fold along the green dotted lines.
3. Fold up the bottom of the template and stick together using the side tabs. Add a craft magnet to the flap to keep the envelope lid closed.





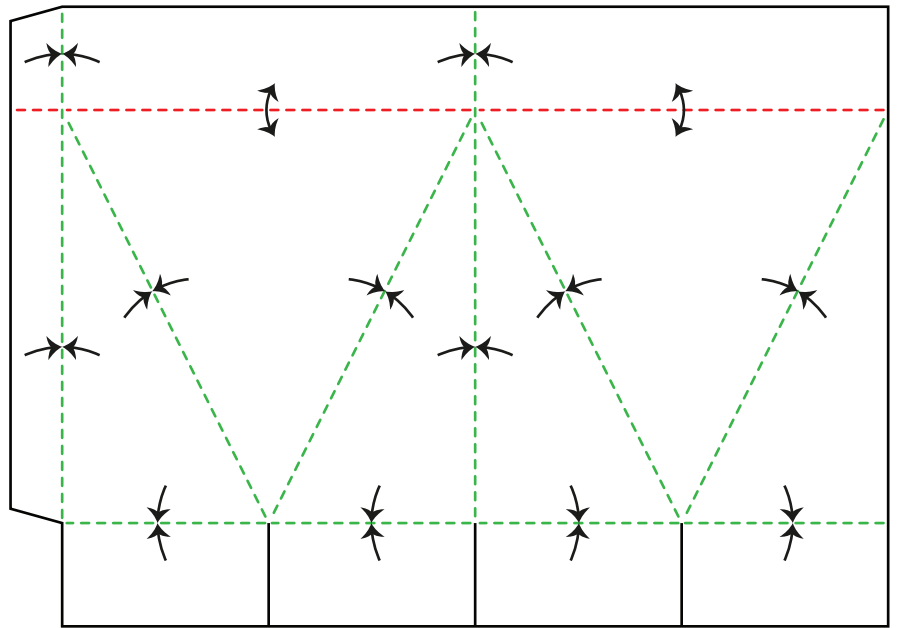
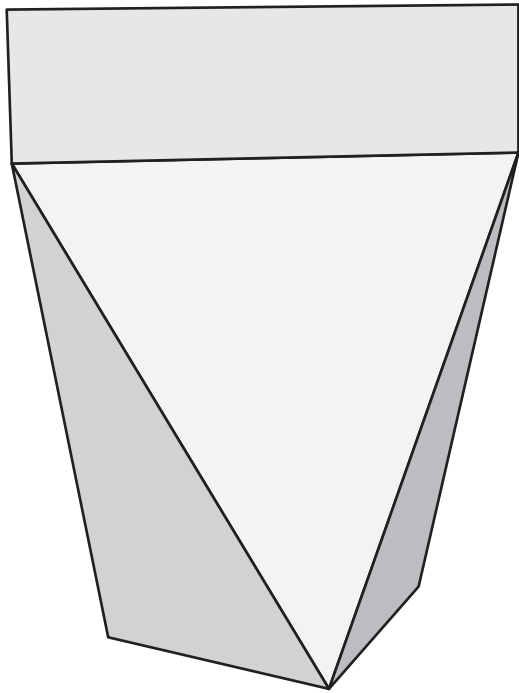
SQUARE ENVELOPE BOX

1. Cut out the template, score along the dotted lines and cut along the solid lines. If you are using the SVG version these will have been done for you.
2. Valley fold along the green dotted lines.
3. Fold up the bottom of the template and stick together using the side tabs. Add a craft magnet to the flap to keep the envelope lid closed.





SELF CLOSING BOX



1. Cut out the template, score along the dotted lines and cut along the solid lines. If you are using the SVG version these will have been done for you.
2. Valley fold along the green dotted lines and mountain fold along the red dotted lines.
3. Fold the template in half and stick the tab to the opposite edge. Open up the bottom of the box, fold in the tabs to form the base of the box and stick to close. The folds of the box will snap the opening shut when you push to close it.

