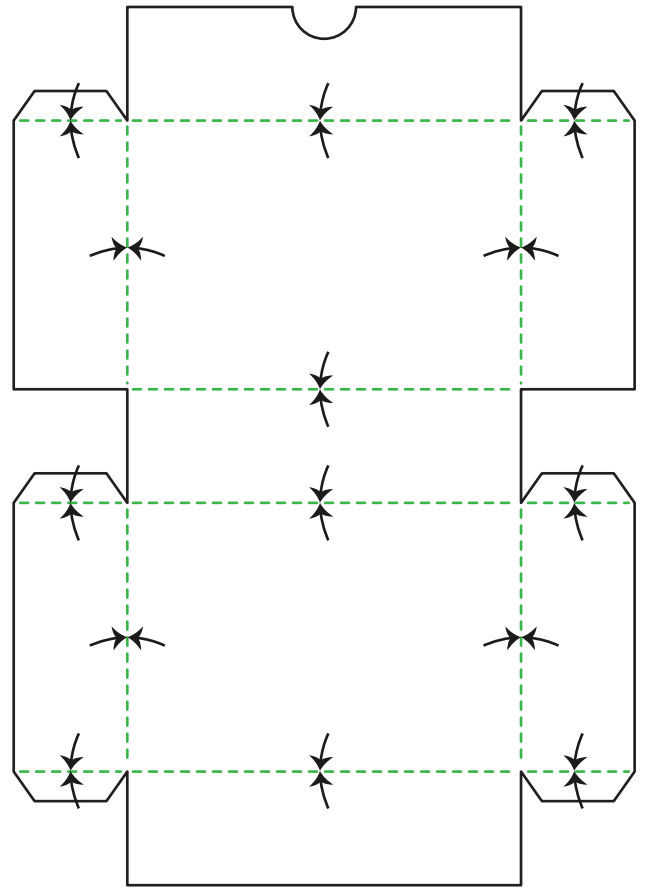
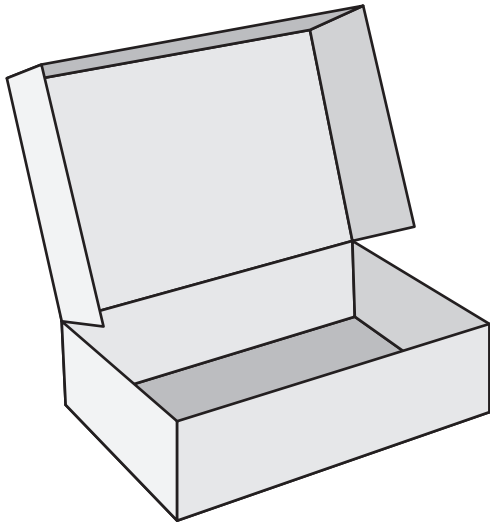




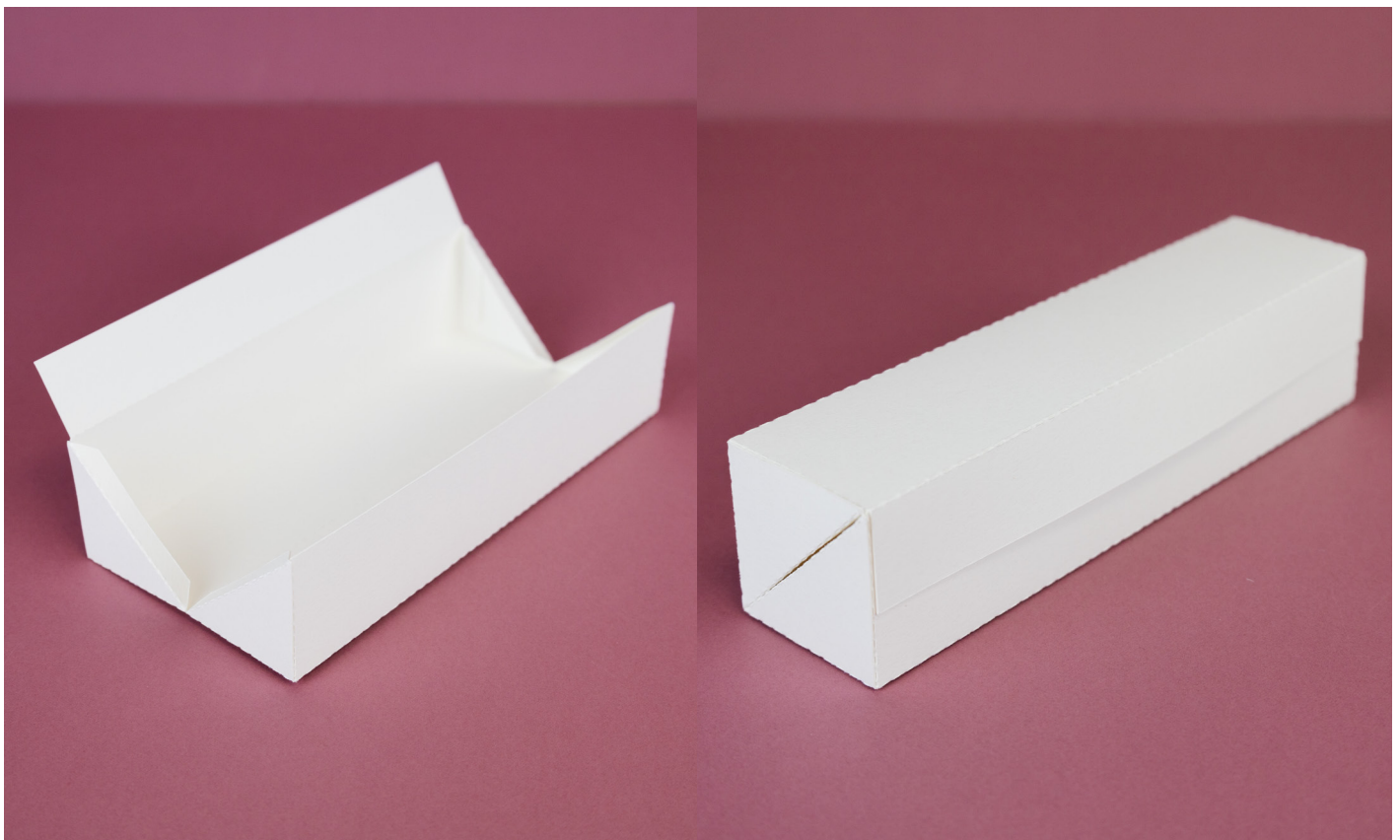
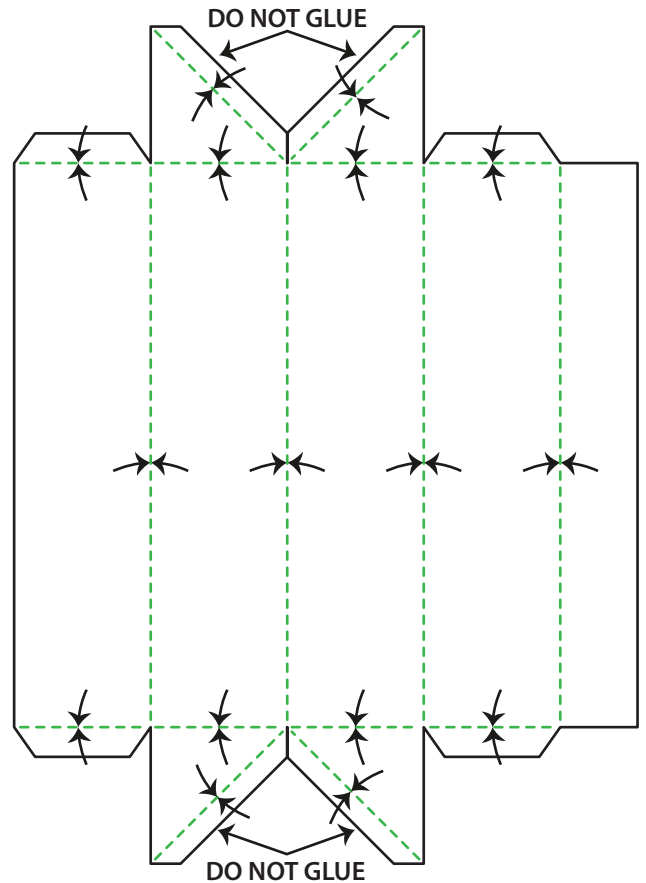
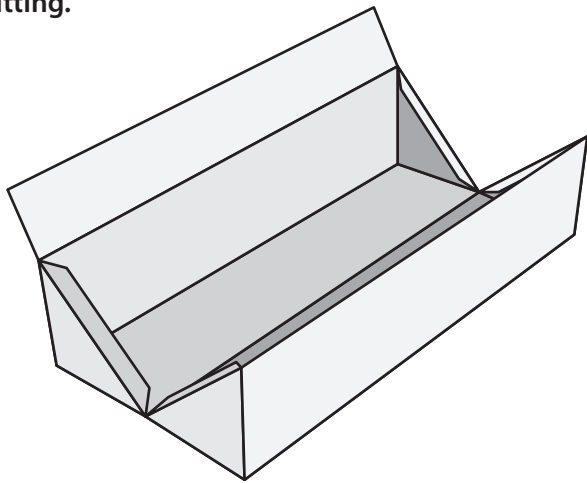
CHOCOLATE BOX

1. Cut out the template, score along the dotted lines and cut along the solid lines. If you are using the SVG version these will have been done for you.
2. Valley fold along the green dotted lines.
3. Fold the template and glue each tab to their adjacent sides to create the base and lid of the box.
4. Close the box lid to finish your box. Decorate with your mats & layers. If using the SVG mat & layers, all layers are on one file. Please delete the files you don't want before cutting.



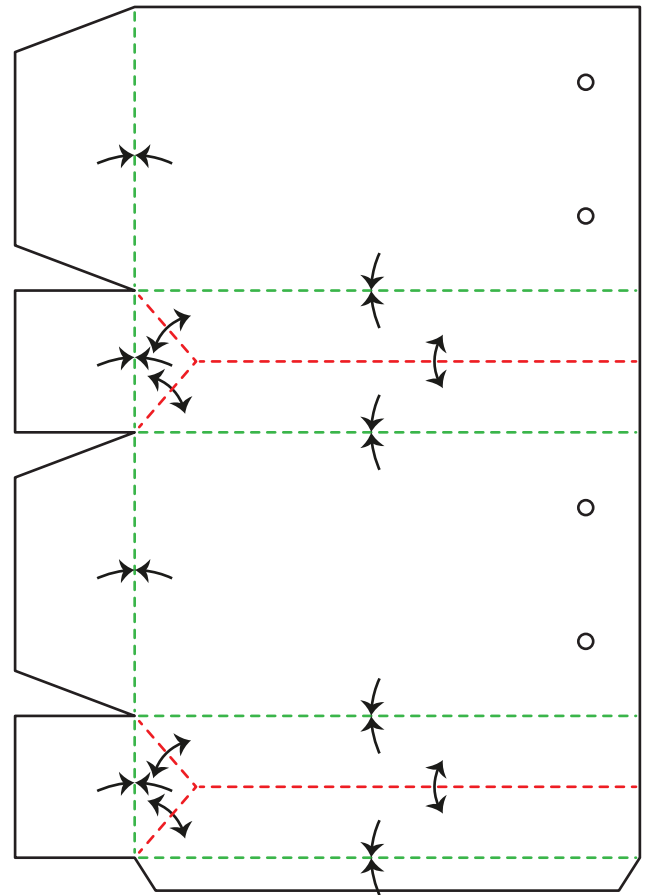
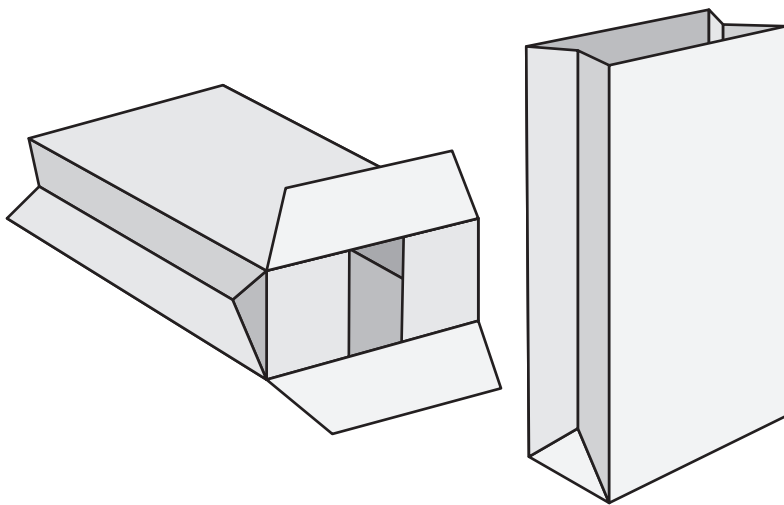
PENCIL CASE BOX

1. Cut out the template, score along the dotted lines and cut along the solid lines. If you are using the SVG version these will have been done for you.
2. Valley fold along the green dotted lines.
3. Fold the template and glue the tabs to their adjacent sides to create both sides of the box. **DO NOT** glue the tabs on the ends of the triangle ends.
4. Close up the box the lid and add a craft magnet or hook and loop to the lid flap to close. Decorate with your mats & layers. If using the SVG mat & layers, all layers are on one file. Please delete the files you don't want before cutting.



GIFT BAG

1. Cut out the template, score along the dotted lines and cut along the solid lines. If you are using the SVG version these will have been done for you.
2. Mountain fold along the red dotted lines and valley fold along the green dotted lines.
3. Glue the long tab to the long edge of the gift bag. Fold in the bottom side tabs, the two bottom tabs gluing the last one to close the bag bottom. Decorate with your mats & layers. If using the SVG mat & layers, all layers are on one file. Please delete the files you don't want before cutting.



HANDBAG BOX

1. Cut out the template, score along the dotted lines and cut along the solid lines. If you are using the SVG version these will have been done for you.
2. Valley fold along the green dotted lines.
3. Fold in the bottom side tabs. Fold up the front and back of the bag. Fold in the back sides, then fold over the front sides and glue to create the bag.
4. Fold over the bag flap and add a craft magnet or hook & loop to keep in place. Decorate with your mats & layers. If using the SVG mat & layers, all layers are on one file. Please delete the files you don't want before cutting.

