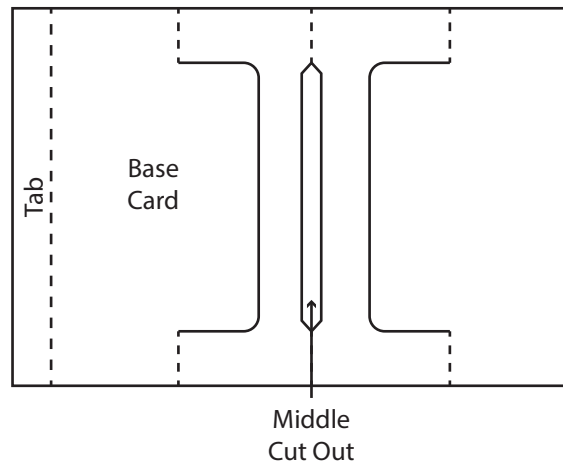
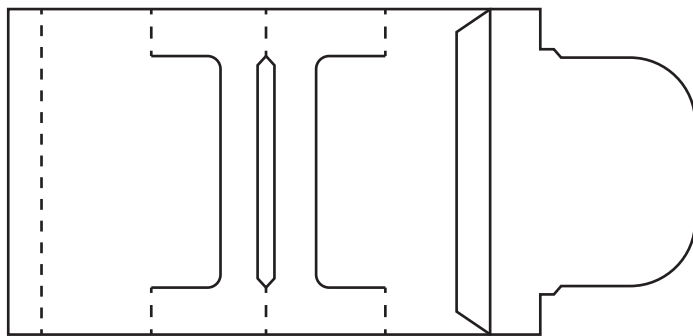


ADVANCED POP UP CARD

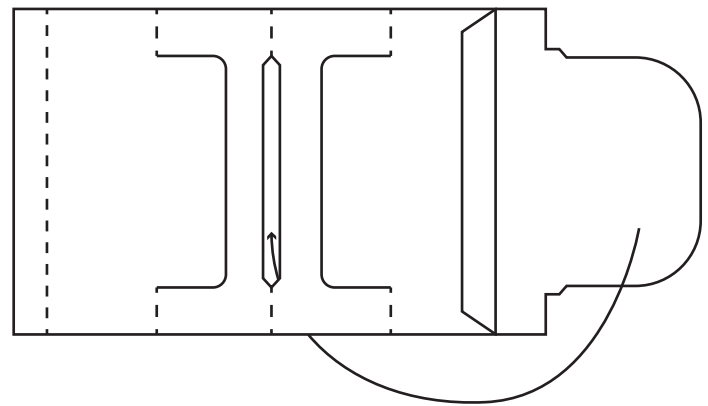
1. Cut out the templates and fold along any score lines.



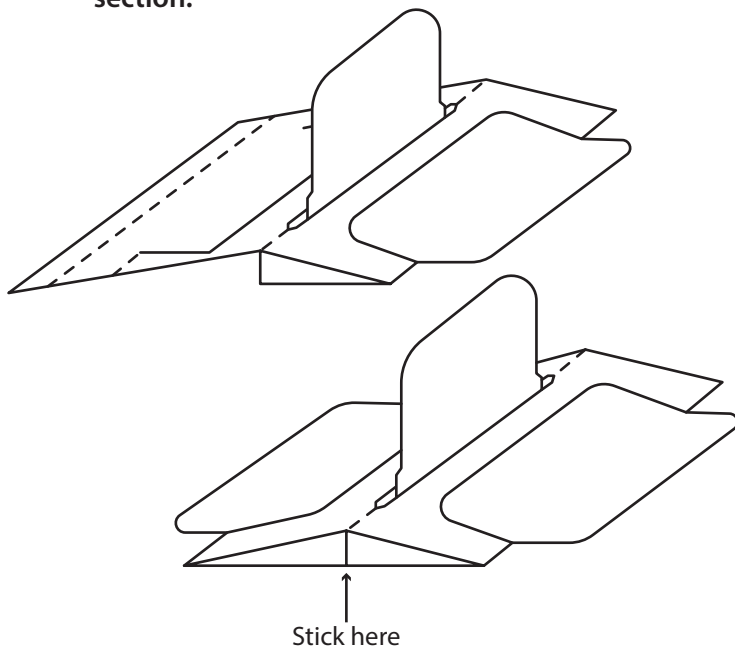
2. Attach the Pop Up piece to the edge of the base card without the tab with double sided tape or glue as shown.



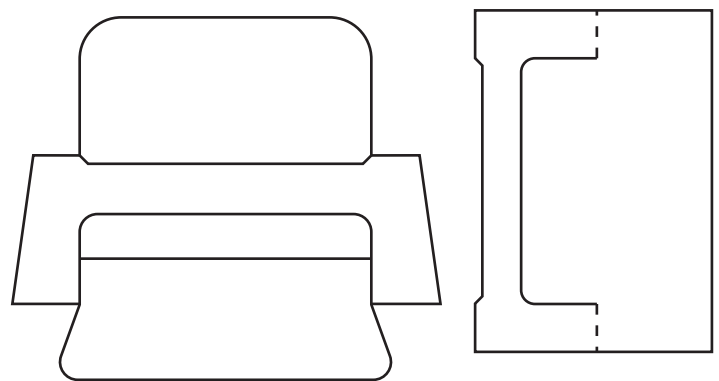
3. Fold the Pop Up piece underneath and through the middle cut out.



4. Secure the pop up section in place by sticking the tab on the base card underneath the pop up section.



5. The card opens out and folds flat. Decorate as required.



Top Tip: If your Pop Up isn't staying up when the card is open, add a tiny snip either side at this point to help it stay up.

